

# Tomalok

## Install Preparation

- M3 SCREW HEAD
- IMPACT DRILL
- CONCRETE DRILL
- 8.5 MM Drill Bit

**Safety instructions:** Before proceeding with the product's installation, check that all the materials are in good working order and suited to the intended applications. Danger due to electric power. Contact with live parts may result in an electric current flowing through the body. Electric shock, burns, or death may result. Installation must be done by an authorized specialist.

**Disposal:** The packaging must be disposed of in the local recyclable containers. According to the European Directive 2002/96/EC on waste electrical equipment, this device must be properly disposed of, after usage in order to ensure a recycling of the materials used. Old accumulators and batteries may not be disposed of in the household waste, since they contain pollutants and must be properly disposed of in municipal collection points or in the containers of the dealer provided. Country-specific regulations must be observed.

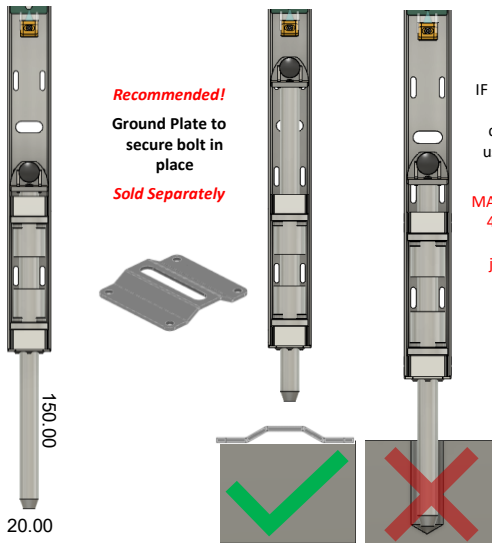
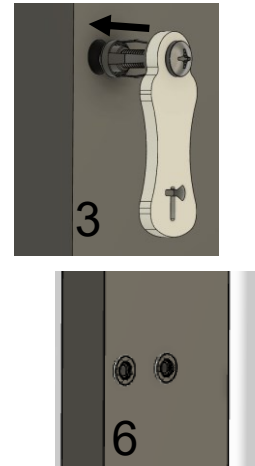
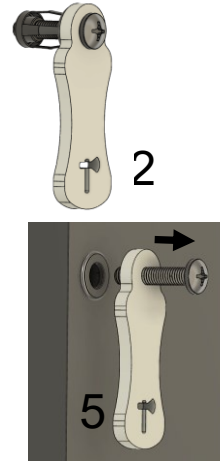
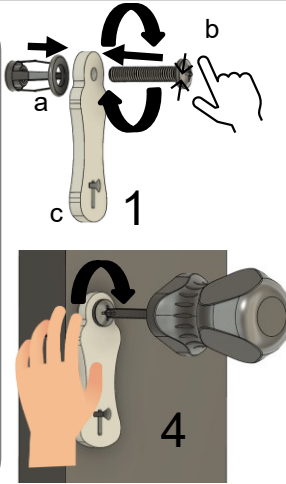
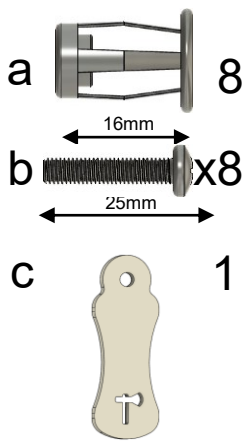
TOMALOK - 4C Kilcronagh Business Park, Cookstown, BT80 9HJ, UK. Product Type: Gate Lock



FR Cet appareil ses accessoires piles et cordons se recyclent  
 A DÉPOSER EN MAGASIN OU A DÉPOSER EN DÉCHÈTERIE  
 ÉLÉMENT(S) D'EMBALLAGE

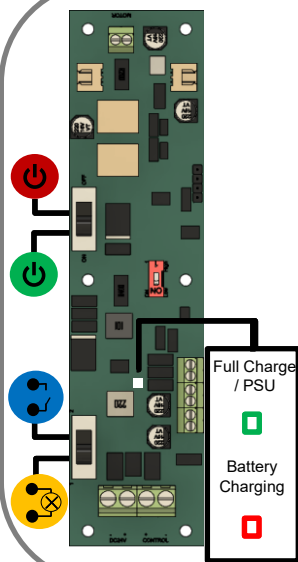
Points de collecte sur [www.quofairedechets.fr](http://www.quofairedechets.fr)  
 Privilégiez la réparation ou le don de votre appareil!

## Pack Contents

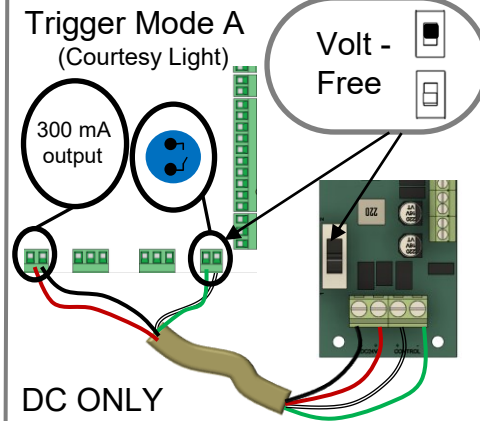


**Recommended!**  
 Ground Plate to secure bolt in place  
**Sold Separately**

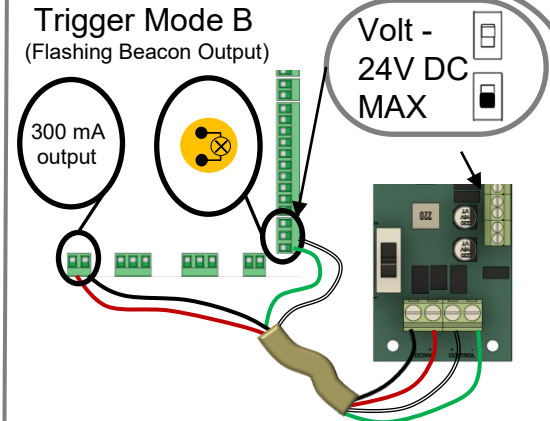
IF required to Drill concrete use 30mm BIT  
**MAX DEPTH 40MM** to prevent jamming



## Trigger Mode A (Courtesy Light)



## Trigger Mode B (Flashing Beacon Output)



110-240V



Optional

Switch on PCB When install is complete

